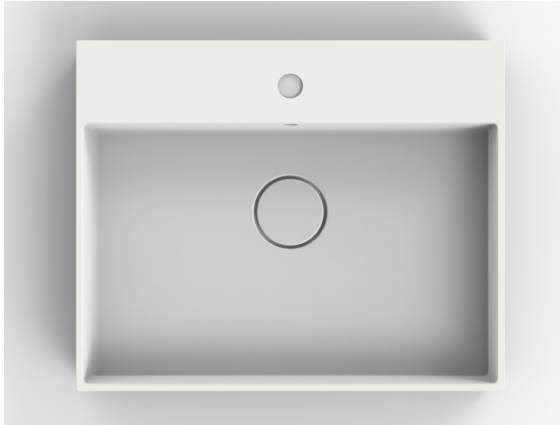


## YONA COLLECTION\_mod. 3001

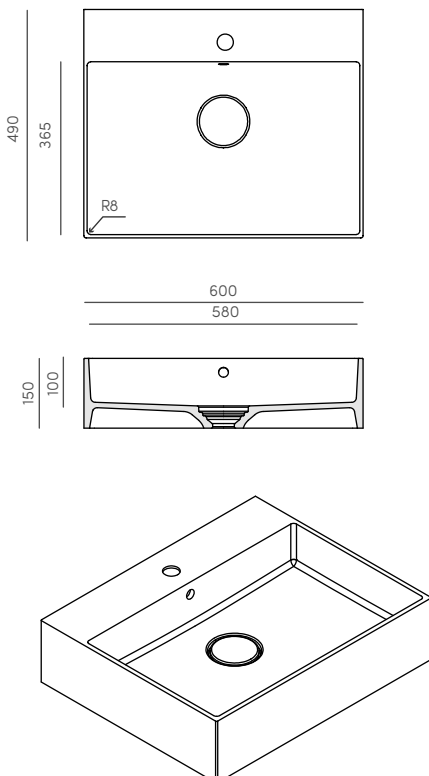
TECHNICAL INFORMATION

### DESCRIPTION



- Washbasin
- Faucet integration hole: YES
- Overflow: YES
- Sink plug
- Accessories fixing
- Measurements:  
600x490x150mm

### TECHNICAL DRAWING



### REFERENCE \_3001

### TECHNICAL SPECIFICATIONS

#### Measurements

600x490x150 mm

#### Material composition

This Corian® washbasin is a solid surface product consisting of acrylic-modified polyester resin and ATH filler. It is homogeneous through its thickness, hygienic, durable, repairable, renewable and has excellent sensorial qualities.

#### Finishes

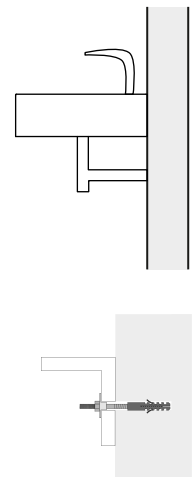
Moon White

#### Installation

Wall mount / Top mount

#### Accessories

Drain cover  
Valve not included



**CORIAN®**  
DESIGN